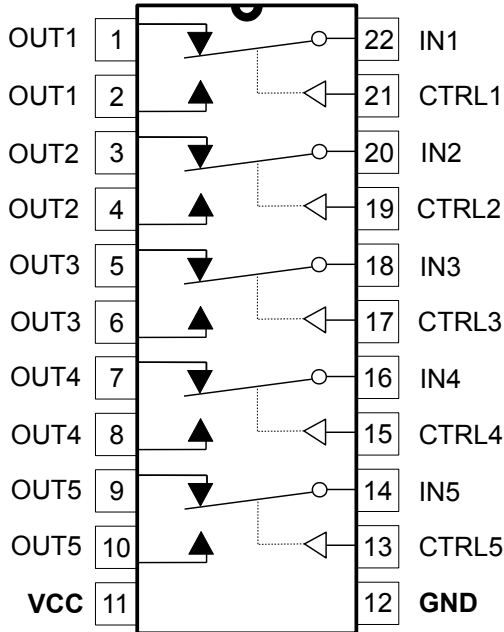


## 5 x Analog Switch



**SUPPLY VOLTAGE:**

1.65 ... 5.5V

**IN/OUT max. Values:**

5.5V / 200mA

**CTRL STATES:**

LOW = NON SWITCHED  
HIGH = SWITCHED  
OPEN = UNDEFINED STATE

**IN/OUT RESISTOR VALUES:**

CLOSED: ~ 6 Ohm  
OPENED: ~ 750 KOhm

**SWITCHING TIMES:**

TURN ON 20-40ns  
TURN OFF 15-35ns